

Fresnel Lens for Pyroelectric Infrared Sensors

Model : JP-4

Application with pyroelectric infrared sensors :

- Lighting control switch
- Automatic motion switch
- Home automation
- Air ventilation system
- Others (Human motion detection)

Material : HDPE (High Density Polyethylene)

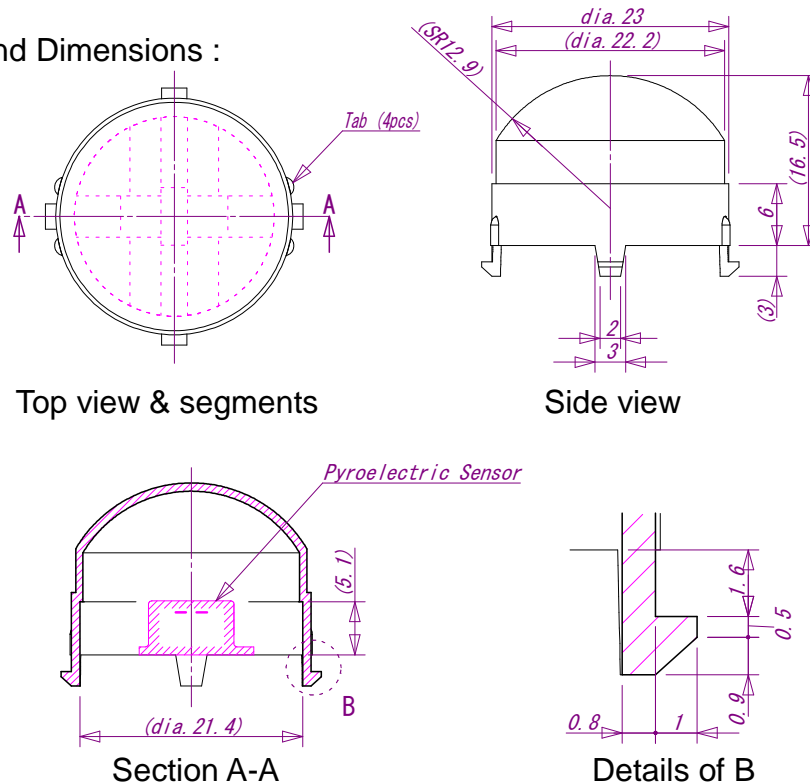
Standard color : HDPE natural white



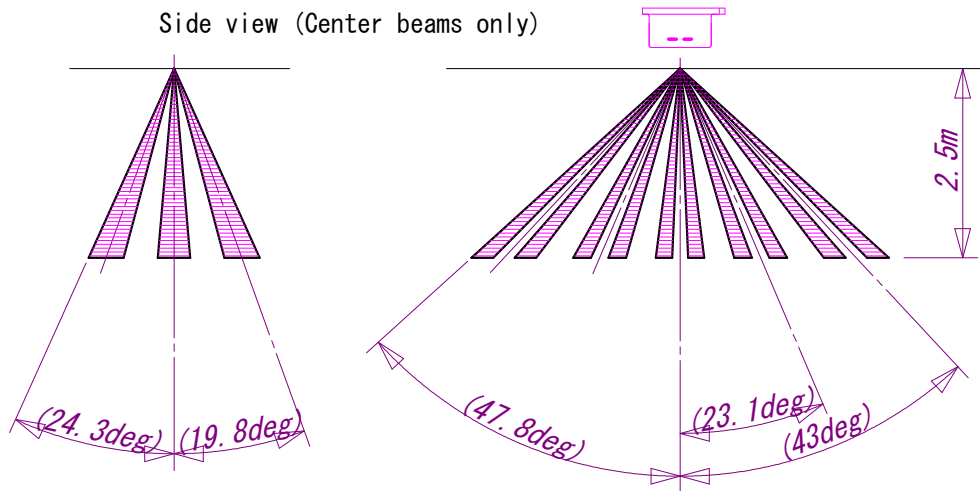
Features :

- Compact size, 15 segments and rectangular projected foot prints
- Various colors and visible light protection materials are possible.
- Accurate and high performance by special Fresnel groove technology

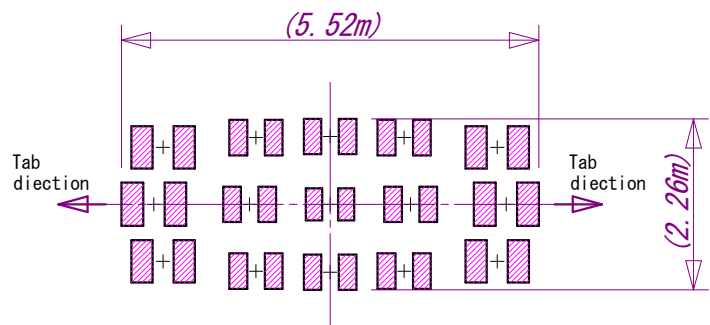
Appearance and Dimensions :



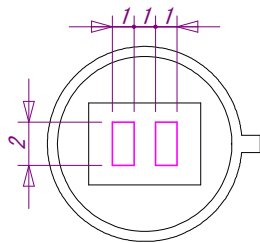
Coverage area when ceiling mounting :



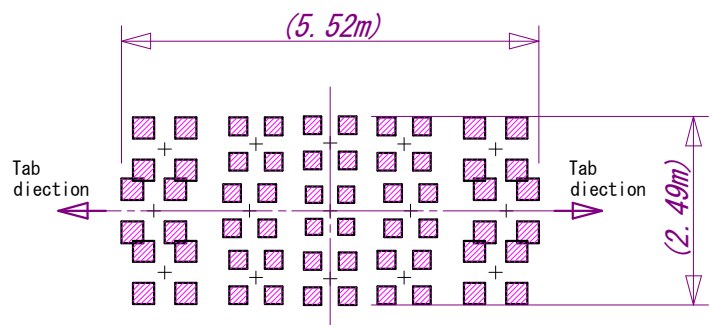
Foot print



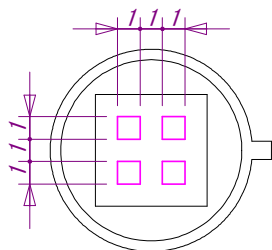
Pyrosensor element size
(Dual element model)



Foot print



Pyrosensor element size
(Quad element model)



Precautions :

- The specification may be changed without advance notice.
- The specification only states typical subjects. Customers are required to check all of related characteristics by themselves.