

Fresnel Lens for Pyroelectric Infrared Sensors

Model : JP-3

Application with TO-5 package pyroelectric sensors :

- Security control system
- Lighting control switch
- Automatic motion switch
- Home automation
- Air ventilation system
- Others (Human motion detection)

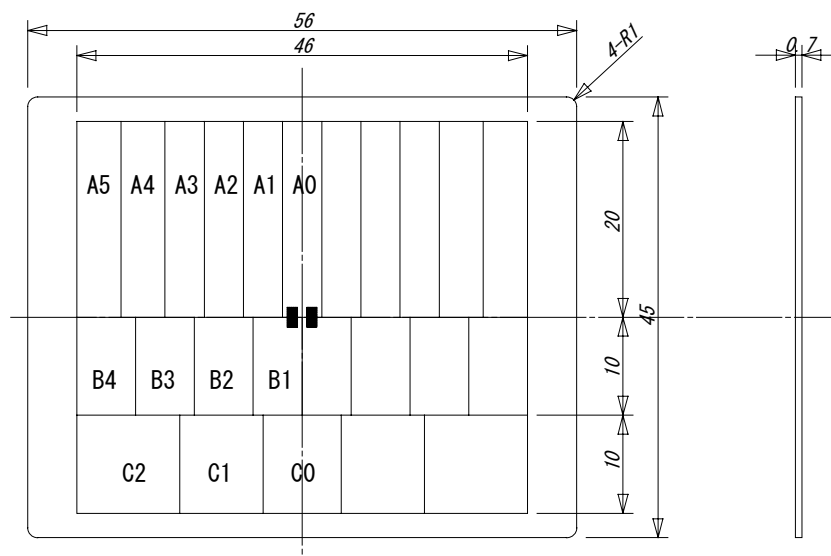


Material : HDPE (High Density Polyethylene)

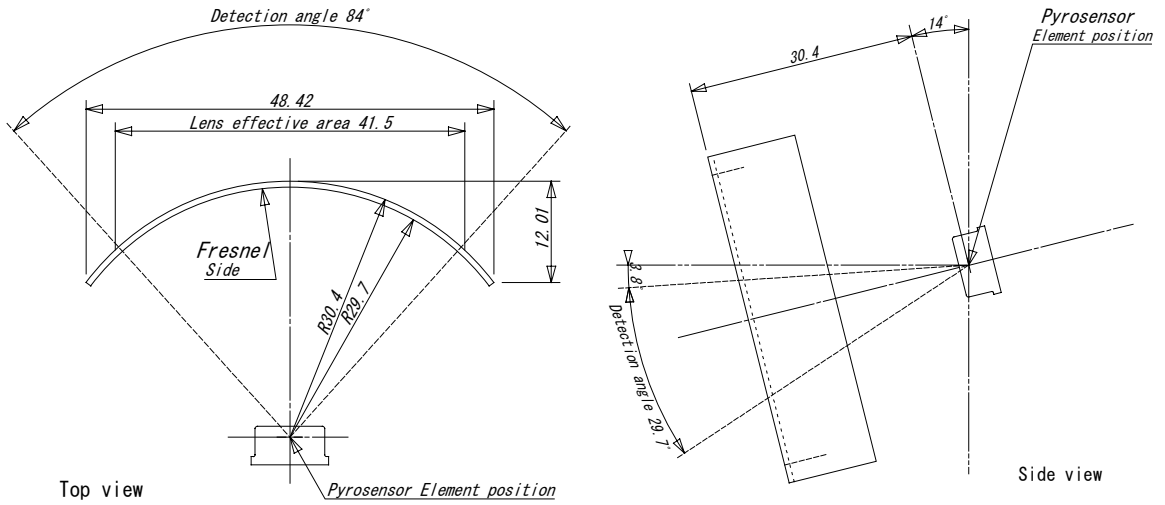
Features :

- Wide volumetric coverage pattern
- Various colors and Visible light protection materials are possible.
- Accurate and high performance by special Fresnel groove technology

Appearance and Dimensions :



Relative position of Pyrosensor :



Coverage area :

- Element size of pyrosensor : 2mm x 1mm Gap 1mm

