

Fresnel Lens for Pyroelectric Infrared Sensors

Model : JP-2-S and JP-2-B

Application with TO-5 package pyroelectric sensors :

- Lighting control switch
- Automatic motion switch
- Home automation
- Air ventilation system
- Others (Human motion detection)

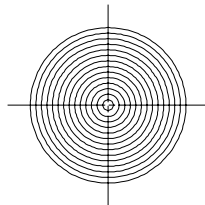
Material : HDPE (High Density Polyethylene)



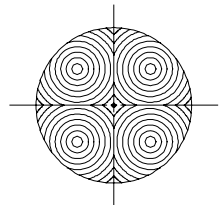
Features :

- Compact size, just to fit on the TO-5 pyrosensor header
- Easy install, no focal adjustment needed
- Various colors and Visible light protection materials are possible.
- Accurate and high performance by special Fresnel groove technology

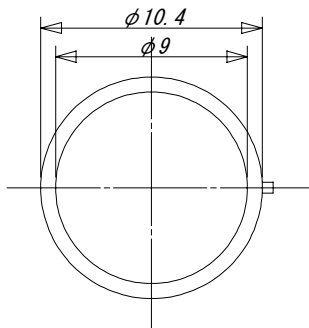
Appearance and Dimensions :



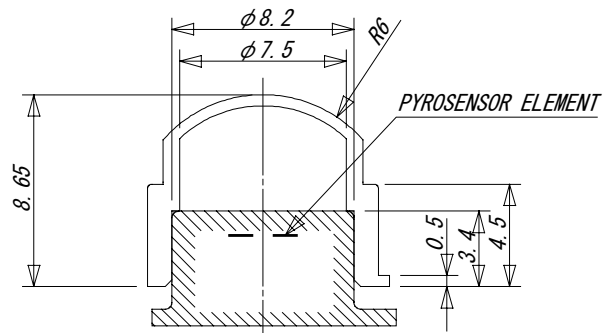
JP-2-S (Single)



JP-2-B (4 in box)



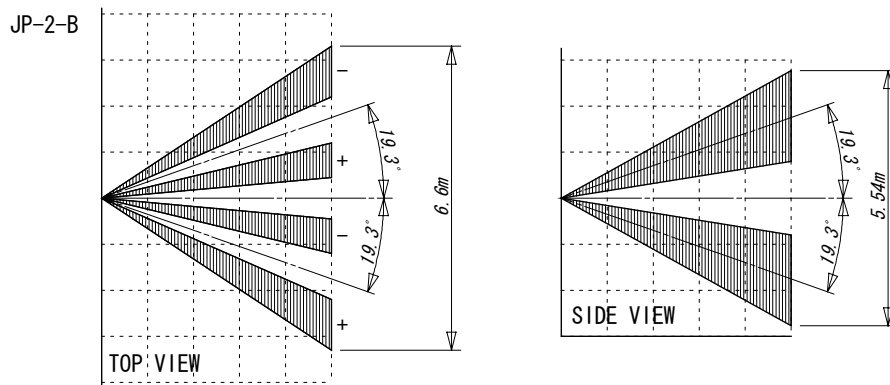
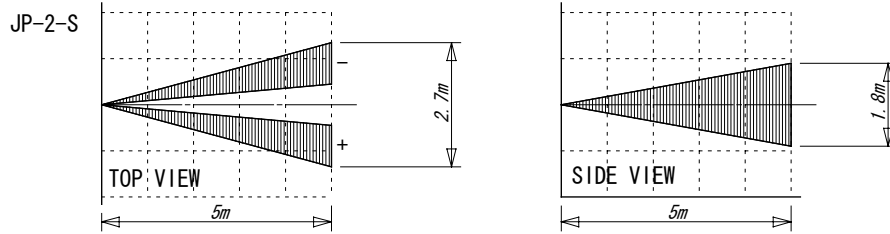
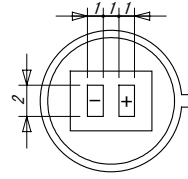
Top view



Side section view

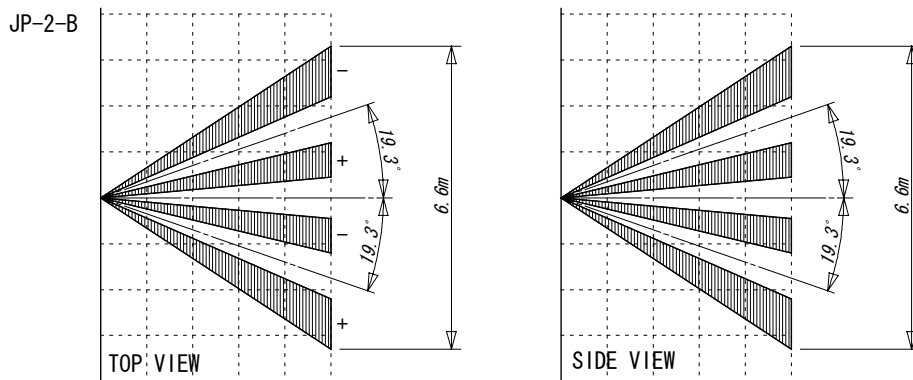
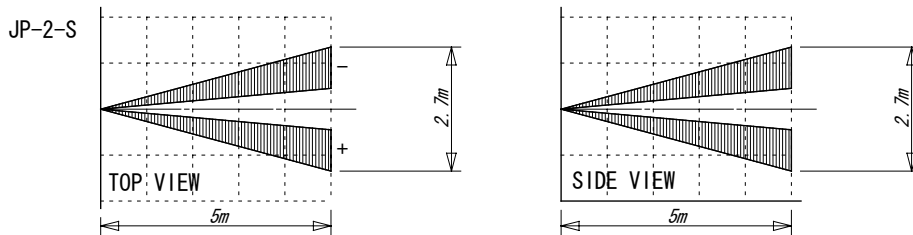
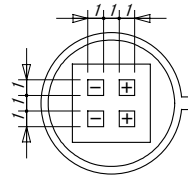
Coverage area 1 :

- Element size of pyrosensor : 2mm x 1mm Gap 1mm



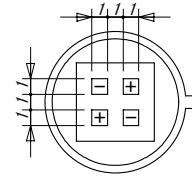
Coverage area 2 :

- Element size of pyrosensor : 1mm x 1mm Gap 1mm

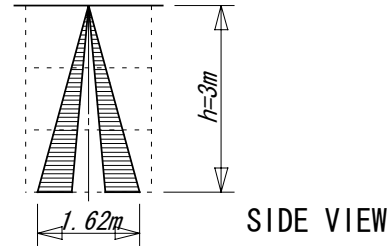
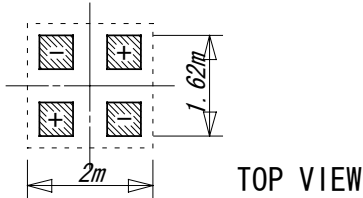


Coverage area 3 / Ceiling mount :

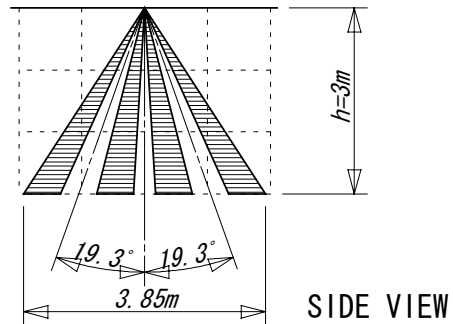
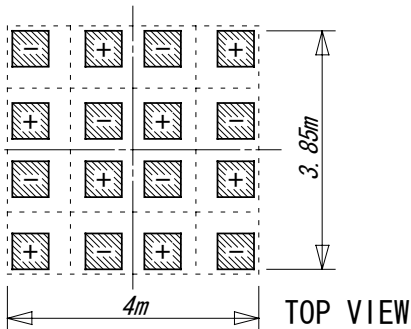
- Element size of pyrosensor : 1mm x 1mm Gap 1mm



JP-2-S



JP-2-B



Installation :

- Put the direction of tabs together between JP-2 lens and pyrosensor. ---*1)
- Put the lens until the lens touches to the shoulder of pyrosensor. ---*2)
- 2 or 3 points Styrene-butadiene (SB) or Epoxy glue is recommended to fix the lens. --- *3)
- Front cover to avoid moving or drop of the lens is recommended. ---*4)
- Front cover should have taper not to disturb the detection area of the lens. ---*5)

