

Fresnel Lens for Pyroelectric Infrared Sensors

Model : JP-1

Application with pyroelectric infrared sensors :

- Lighting control switch
- Automatic motion switch
- Home automation
- Air ventilation system
- Others (Human motion detection)



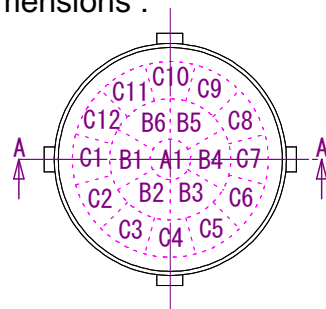
Material : HDPE (High Density Polyethylene)

Standard colors : HDPE natural or black

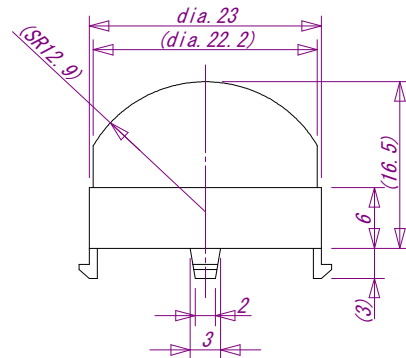
Features :

- Compact size, 19 segments
- Various colors and visible light protection materials are possible.
- Accurate and high performance by special Fresnel groove technology

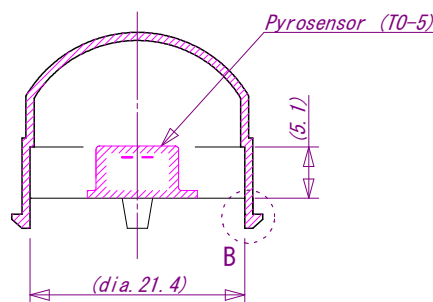
Appearance and Dimensions :



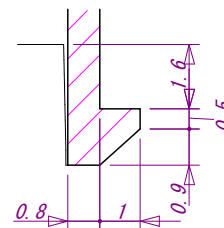
Top view & segments



Side view

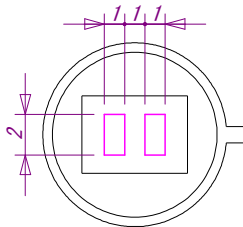
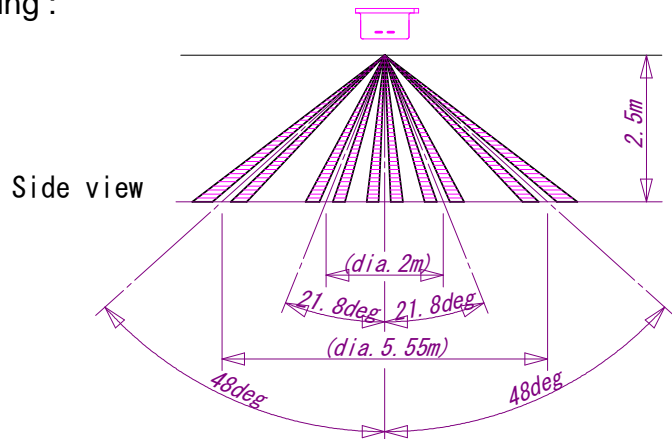


Section A-A

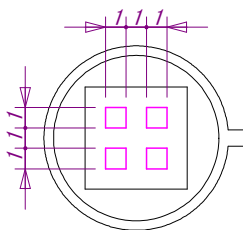
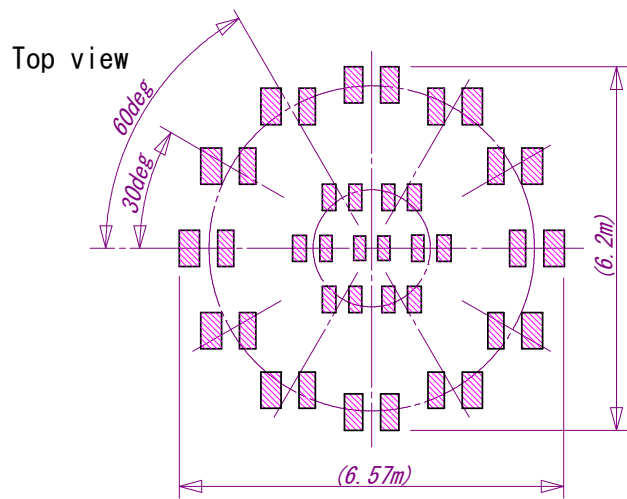


Details of B

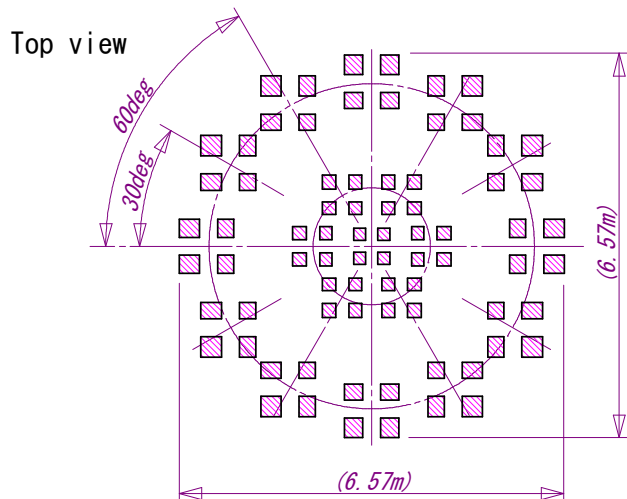
Coverage area when ceiling mounting :



Pyrosensor element size
(Dual element model)



Pyrosensor element size
(Quad element model)



Precautions :

- The specification may be changed without advance notice.
- The specification only states typical subjects. Customers are required to check all of related characteristics by themselves.